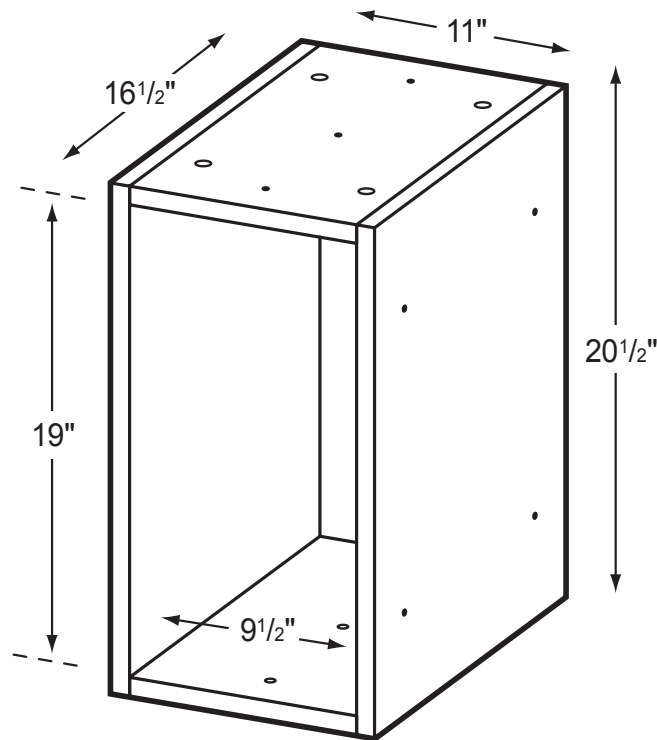


CDCPU

CPU Holder



Product Specs

- 3/4" thermal fused laminate
- Matched edge banding
- Cam and post construction